

xDSL Bridge

WireSpan 5100B

Installation Guide

(Version 1.00)



10F, No.14, Lane 609, Sec. 5, Chung Hsin Rd.,

San Chung City, Taipei Hsien, Taiwan, R.O.C.

Tel : (886)2-2999-5155

Fax : (886)2-2999-4960

Website : <http://www.atr.ie.com.tw>

E-mail : contacts@mail.atr.ie.com.tw

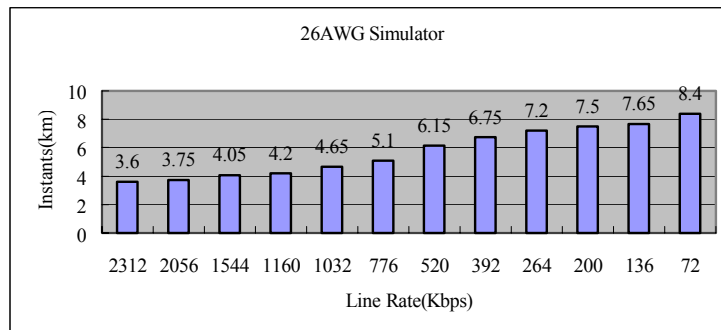
WireSpan 5100B xDSL Bridge

The WireSpan 5100B G.SHDSL Bridge provides a high-speed data connection over a single-pair copper line to another one. The WireSpan 5100B uses Single-pair Digital Subscriber Line (SDSL) technology to provide data rates from 64Kbps to 2312Kbps. The data rate is manually configured, based on the connection distance and line condition.

The WireSpan 5100B connects, through its 10/100BaseT port, to a PC or Local Area Network (LAN).

Determining the data rate

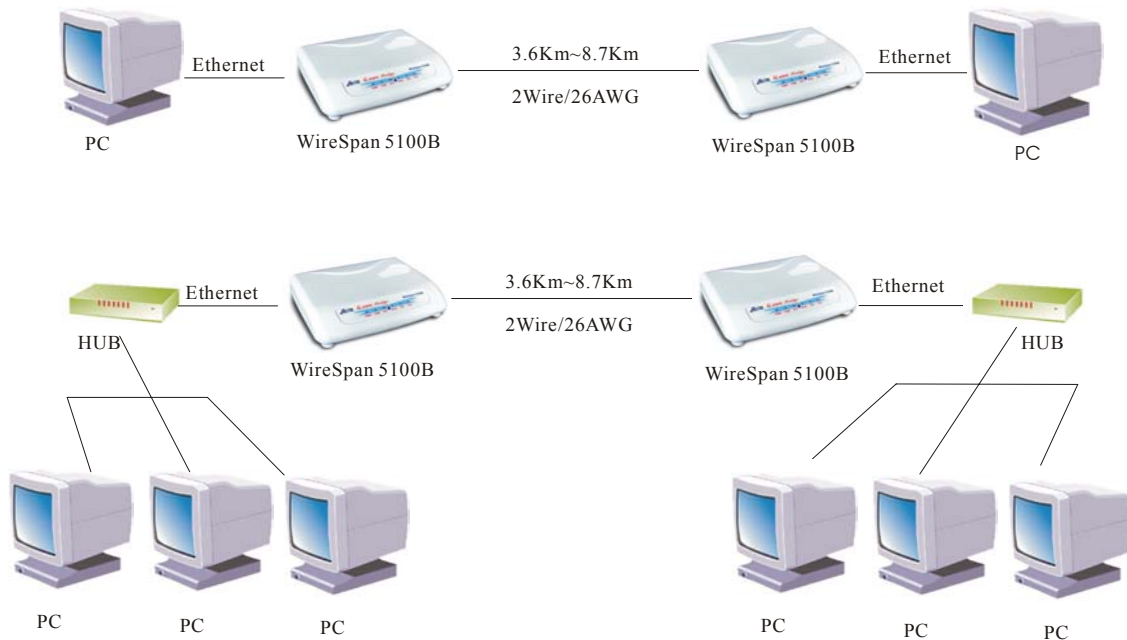
The following chart shows the maximum reach, on 24 AWG and 26 AWG wire, for each data rate the WireSpan 5100B supports. The actual reach depends on such factors as the condition of the line and the presence of bridge taps, splices, line noise, and so on.



Features

The WireSpan 5100B provides MAC layer bridging of frames received on its LAN and WAN interfaces. It provides transparent address learning -- storing up to 1024 MAC addresses -- on the LAN interface. Address entries are aged out after 300 seconds. The WireSpan 5100B does not support spanning tree. As a result, it can not be used in parallel with another bridge to provide redundancy. The WireSpan 5100B is easy to install. Set the transmission rate with a DIP switch on the back panel and connect the cables, and it's ready to use.

The WireSpan 5100B uses a dedicated single-pair wire to connect a subscriber PC or LAN to an DSL line.



Technical Specifications

Power Supply

Power Adaptor DC 5V±5%

Connectors

Ethernet Connector

RJ-45 connector for 10/100BaseT interface

DSL Connector

RJ-11 connector for DSL interface

Physical

Height

37mm

Width

127.5mm

Length

161mm

Weight

276g

Environmental

Operating temperature 0 to 50 °C

Relative humidity Up to 95% Non-condensing

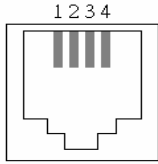
Storage temperature -10 to 70 °C

Pin Definition

The table lists the pinouts for the WireSpan 5100B ports. Pins not listed are not assigned.

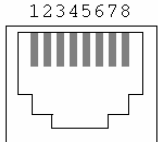
DSL Port	10/100BaseT Port (PC)	10/100BaseT Port (HUB)
Pin 3: DSL Ring	Pin 1: RD+ Pin 2: RD-	Pin 1: TD+ Pin 2: TD-
Pin 4: DSL Tip	Pin 3: TD+ Pin 6: TD-	Pin 3: RD+ Pin 6: RD-

DSL Port



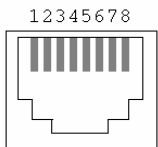
- 1: --
- 2: Ring for DSL
- 3: Tip for DSL
- 4: --

10/100BaseT Port (PC)



- 1: RD+
- 2: RD-
- 3: TD+
- 4: --
- 5: --
- 6: TD-
- 7: --
- 8: --

10/100BaseT Port (HUB)



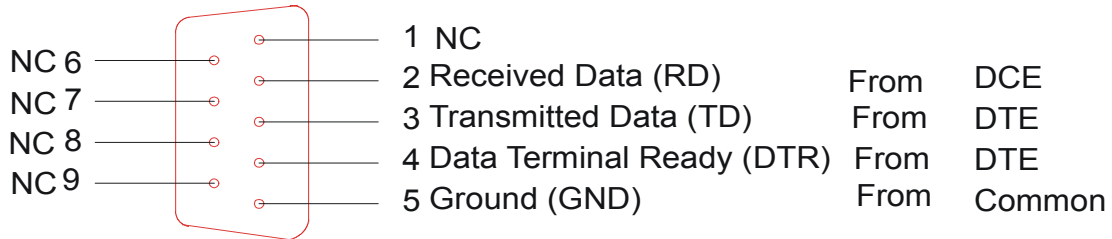
- 1: TD+
- 2: TD-
- 3: RD+
- 4: --
- 5: --
- 6: RD-
- 7: --
- 8: --

Console Port

This console port is for user to control the device via terminal. Please adjust your terminal emulation software according to the following table:

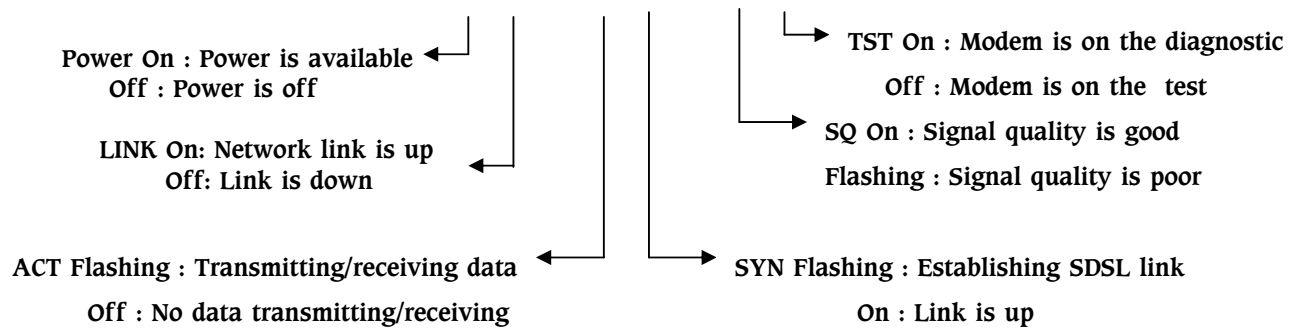
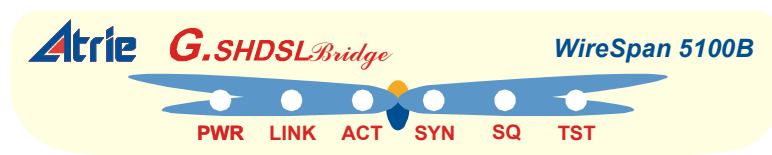
PARAMETERS	VALUE
Speed (baud rate)	38400bps
Data bits	8 bits
Parity	None

Stop bit	1 bit
Flow control	None
Terminal emulation	VT-100 or ANSI

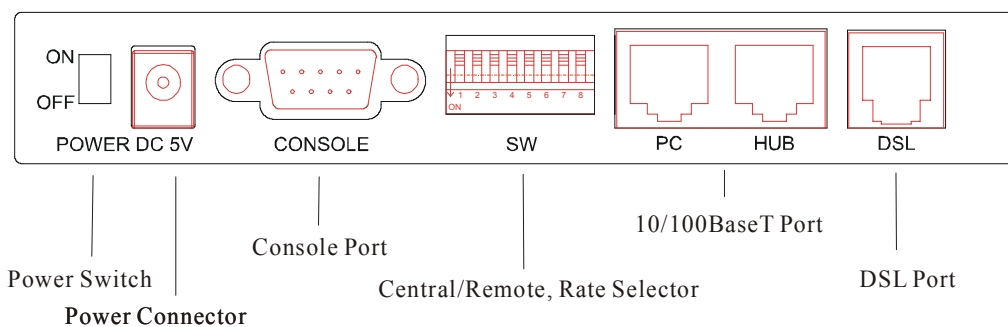


Panel Description

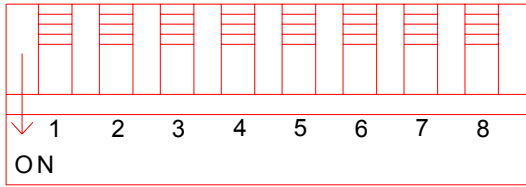
Front Panel



Rear Panel



DIP Switch



SW

POSITION 1 - Central, Remote selection

1	Description
OFF	Remote side
ON	Central side

Note : One device is setting to Central side, the other is setting to Remote side.

POSITION 2,3 - Ethernet line speed selection

2	3	Description
OFF	OFF	AUTO(Half/Full)
OFF	ON	10Mbps Half Duplex
ON	OFF	100Mbps Half Duplex
ON	ON	Reserved

POSITION 4,5,6,7 - DSL rate selection

4	5	6	7	Description
OFF	OFF	OFF	OFF	AUTO
OFF	OFF	OFF	ON	72Kbps
OFF	OFF	ON	OFF	136Kbps
OFF	OFF	ON	ON	200Kbps
OFF	ON	OFF	OFF	264Kbps
OFF	ON	OFF	ON	392Kbps
OFF	ON	ON	OFF	520Kbps
OFF	ON	ON	ON	648Kbps
ON	OFF	OFF	OFF	776Kbps
ON	OFF	OFF	ON	1032Kbps
ON	OFF	ON	OFF	1160Kbps
ON	OFF	ON	ON	1544Kbps
ON	ON	OFF	OFF	1928Kbps

ON	ON	OFF	ON	1992Kbps
ON	ON	ON	OFF	2056Kbps
ON	ON	ON	ON	2312Kbps

POSITION 8- NVRAM/DIP switch selection

8	Description
OFF	Read NVRAM for power on configuration.
ON	Read DIP for switch for power on configuration.

Connect the cables

