

# EoC indoor Master

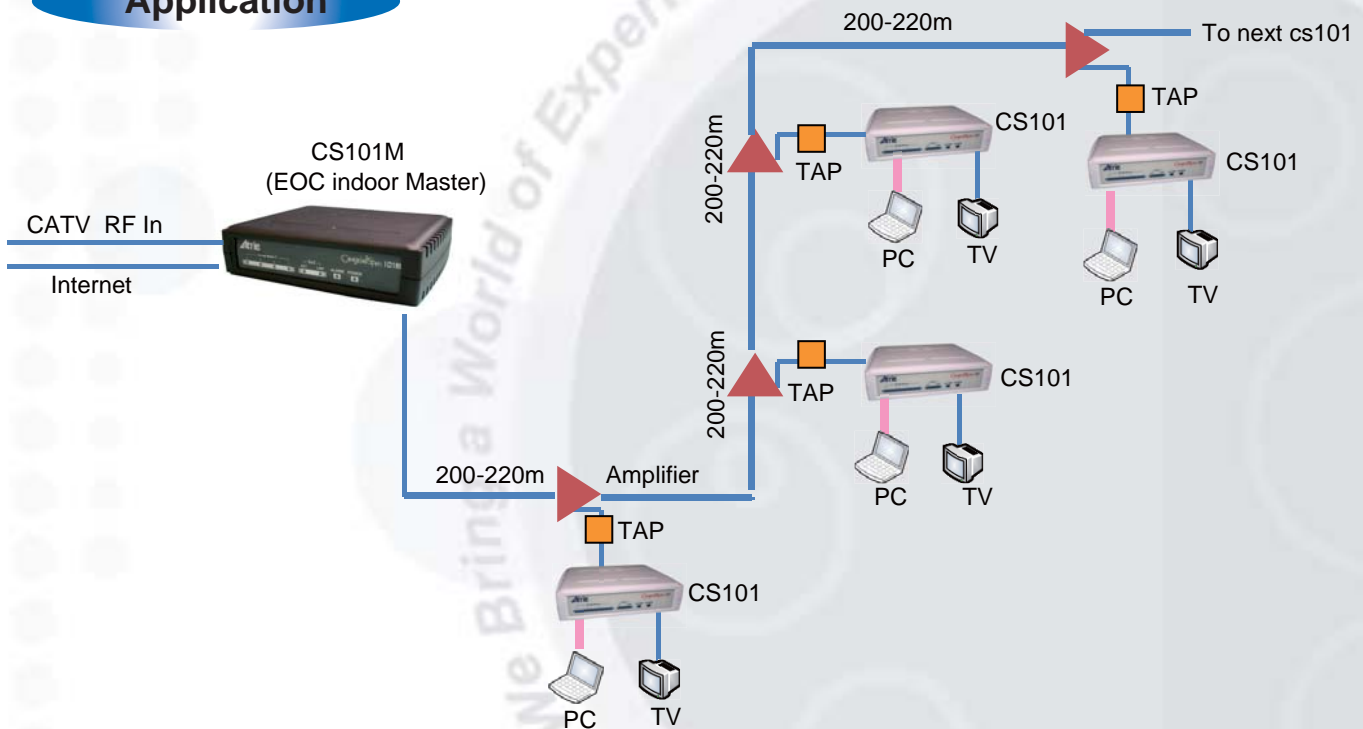
## ► CoaxialSpan 101M ◀



### Features

- **Extends LAN connectivity using existing coaxial cable**
- **Transmits CATV and Ethernet over the same coaxial cable**
- **Point to multi-point upto 64 slave nodes**
- **QoS with 8 level priority queues**
- **ATRIE NMS-view supported**

### Application



# Ethernet over Coaxial Modem (EOC indoor Master)

## Specification

### EoC Interface

- Transfer rate : Up to 200Mbps including payload and overhead
- Standard : Fully compliant with the HomePlug AV standard
- Work frequency : 2 ~ 35MHz with OFDM (1366 sub-carriers maximum).
- Modulation : 1024/256/64/16/8-QAM, QPSK, BPSK and ROBO auto-adapting
- Protocol : TDMA, CSMA/CA
- Encryption: 128bits AES
- Main processor : SPIDCOM chipset with ARM926 advance dual core architecture
- Line Impedance : 75 Ohm.
- Connector : 2 female F-type COAX; 1 for RF input; 1 for RF output
- Built-in diplexer circuit
- Up to 64 direct slave devices concurrent connection

### Ethernet interface

- 4 port
- Type: IEEE 802.3 compliant 100BASE-TX, and 10BASE-T
- Auto negotiation with auto MDI/MDIX crossover.
- Connector: RJ45

### Bridging mode ability

- MAC Tables: Up to 2048 MAC addresses (learned)
- VLAN: IEEE 802.1Q up to 64 Tag ID. The master can assign VLAN ID/PRI to each port of Slave
- EOC MAC layer TDMA and CSMA/CA access and mapping protocols with Ethernet layer 2 IEEE 802.1p ToS, CoS and IP Port Classifiers with 8 level priority queues and IEEE 802.1D Bridge and spanning tree protocol pass through
- IGMP managed multicast sessions for IPTV application

### Network Management

- SNMP and Web-based network management protocol
- Bandwidth limitation for each End-Point
- Telnet/SSH CLI-based supported
- Secured/Isolated Communication between each End-point devices

### Management and Maintenance

- LED Indicator : PWR, ALM, EOC Link, EOC ACT, ETH Link/ACT x 4
- Firmware upgrade via FTP protocol

### Physical Dimensions

- Dimensions : 190mm(W) x 49mm(H) x 156mm(D)

### Environment

- Temperature : 0~50°C.
- Humidity : 0%~95%R.H. (Non-condensing).

### Power Requirement

- AC 100 ~ 240V 50/60 Hz
- Power consumption : 10.0 Watt (Max.)



**ATRIE TECHNOLOGY INC.**

10 th Floor, No.14, Lane 609, Sec. 5, Chung Hsin Rd.,  
San Chung District, New Taipei City, Taiwan 24159, R.O.C.

TEL:+886-2-29995155 FAX:+886-2-29994960

E-mail:contasts@mail.atрие.com.tw

<http://www.atрие.com.tw>



Ver.1.0

- Product specifications are subject to change without notice.
- Please contact your dealer for option availability.
- All brand names are registered trademarks of their respective owners.