

# ATRIE IPAM-4800 SERIES

## **48/24 port IP-DSLAM**



ATRIE IPAM-4800 series IP DSLAM has 48/24 ports subscriber line interface with POTS splitter built-in achieved 1U height space saving design. ATRIE IPAM-4800 came with unique bandwidth management, flow prioritization and data flow security control key feature. ATRIE IPAM-4800 provided QoS (quality of service) capability to meet triple play (voice, data, video) requirement, support ADSL/ADSL2/ADSL2+/ G.SHDSL interface, stackable up to 8 ATRIE IPAM-4800 can be cascaded. No matters in features, performance, and cost wise, ATRIE IPAM-4800 is the best choice for NSP (network service provider)

### Features

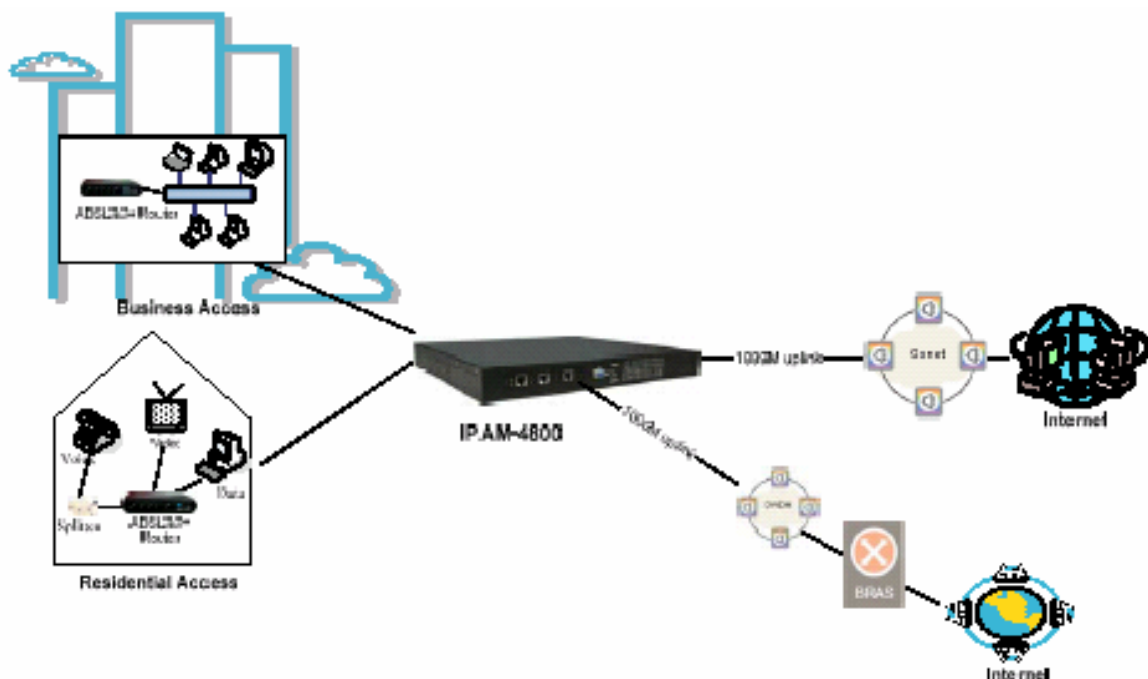
#### **Excellent Management**

- SNMP-based GUI EMS
- Local RS-232 CLI, and Ethernet SNMP/TELNET management
- Remote in-band SNMP/TELNET management
- Firmware upgradeable via FTP or TFTP



#### **Advanced Functions**

- Support 64\*128 MAC address & 256 Multicast MAC address
- Support Static VLAN and Port-based VLAN
- Firewall security by VLAN filtering, MAC Filtering, IP Filtering, Access Control List by MAC and IP address
- Traffic prioritization (802.1p)
- Traffic bandwidth management by MAC and IP address
- Uplink Aggregation (802.3ad)
- Future BRAS enhancement, support 802.1x, DHCP Relay option 82, PPPoA to PPPoE conversion, IGMP Proxy. etc

### Application



## Specifications

| System Features   | ADSL/ADSL2/ADSL2+/G.SHDSL Interface   |
|---|---|
| <ul style="list-style-type: none"> <li>▶ 48/24 ports ADSL/ADSL2/ADS2+/G.SHDSL subscriber interface with built-in POTS Splitter</li> <li>▶ One 100BaseT MGNT+ Two 1000BaseT or one Giga LX Uplink/Subtend Interface (optional)</li> <li>▶ Stackable up to 8 units to be cascaded</li> <li>▶ Centronic 50 pin connector for Telco line in and out</li> <li>▶ 8 VCs per xDSL port</li> <li>▶ 128 MAC address per xDSL port</li> <li>▶ 64*128 MAC address</li> <li>▶ 256 Multicast MAC address</li> <li>▶ 512 VLAN support</li> <li>▶ Packet size 64 byte to 1522 byte</li> </ul> | <ul style="list-style-type: none"> <li>▶ ADSL/ADSL2/ADSL2+: Downstream DMT data rate 32 kb/s up to 25 Mbps; Upstream DMT data rate 32 kb/s up to 1 Mbps</li> <li>▶ G.SHDSL: Symmetric transmission rate up to 2.32Mbps (2-wire)</li> <li>▶ Comply with ITU G.992.1 (G.DMT);, G.DMT.bis; ITU G.992.2 (G.Lite); ANSI T1.413 issue 2; ITU G.994.1 (G.handshake) for ADSL, G.992.3 for ADSL2, and G.992.5 for ADSL2+, G.991.2 for G.SHDSL</li> <li>▶ Extended power management capabilities to optimize power consumption for each application</li> <li>▶ Distance up to 18kft</li> </ul> |
|   | Management  |
|   | <ul style="list-style-type: none"> <li>▶ Microsoft NT/SNMP-based GUI EMS</li> <li>▶ Local RS-232 CLI and Ethernet SNMP/TELNET management</li> <li>▶ Remote in-band SNMP/TELNET management</li> <li>▶ Firmware upgradeable via FTP or TFTP</li> <li>▶ Support SNMP v1, v2c, v3</li> </ul>  |
| Dimension and Weight  | Protocols Support   |
| <ul style="list-style-type: none"> <li>▶ Dimension: 400mm(D)x440mm(W)x44mm(H)</li> <li>▶ Weight: 6.8kg</li> </ul>   | <ul style="list-style-type: none"> <li>▶ STP; IGMP snooping, GMRP, GVRP, LACP, SNMP/UDP/IP/MAC/Ethernet</li> </ul>  |
| Power Source  | Operating Requirements  |
| <ul style="list-style-type: none"> <li>▶ AC power model: 90VAC ~ 240 VAC, 50-60 Hz</li> <li>▶ DC power model: -42VDC ~ -56 VDC</li> <li>▶ Power Consumption: 100 watts</li> </ul>   | <ul style="list-style-type: none"> <li>▶ Operating Temperature: 0°~50 °C</li> <li>▶ Storage Temperature: -30c°~70 °C</li> <li>▶ Operating Humidity: 5% to 90% RH non-condensing</li> </ul>  |
| Uplink upgradeable module interface   |   |
|    | <ul style="list-style-type: none"> <li>▶ 1* 1000BaseT-MGNT + 2*1000BaseT</li> </ul>   |
|    | <ul style="list-style-type: none"> <li>▶ 1*1000BaseT-MGNT+1*1000BaseT+1*1000Fx(SX/LX/LH/ZX)</li> </ul>  |